

Specifications

Support configuration	Single support	Double support				
Part numbers Steel	14017246	14017254	14017258	14017262	14017266	
Part numbers Aluminium	14018246	14018254	14018258	14018262	14018266	
Support with rubber, straps with rubber, mounting kit & air breather included	Yes	No	No	No	No	
W: Width	330	380	440	495	580	mm
MW: Mounting Width min / max	-	195 / 225	200 / 275	220 / 330	250 / 415	mm
Gross volume	132	155	179	201	236	liters
Working volume	110	130	150	170	200	liters
Weight tank (Steel)	30	32	34	36	39	kg
Weight tank (Aluminium)	14	15	16	17	18	kg
A: Suction port	1.5" (2x)*	1.5"	1.5"	1.5"	1.5"	BSP

* One of the two suction ports (A) is closed with a permanent plug. The other suction port (A) is closed with a temporary plastic plug.

The mounting plate (MP) port is closed with a temporary plastic plug.

Technical notes

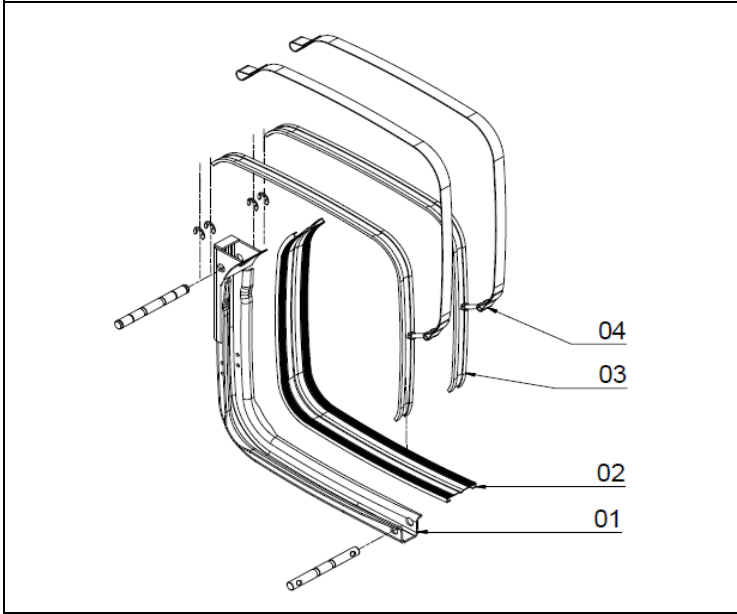
- Mount the tank according to the mounting instructions
- Fill the tank with the recommended hydraulic oil to the centre of the level indicator
- Change the oil once a year
- Replace the air breather and return filter element twice a year
- Do not use the tank to stand on or as a support
- Do not weld on the oil tank
- Steel tank black powder coated (RAL9005)

Related documentation

Mounting instructions: OIL-0014 & OIL-0015

Oil specifications: OIL-0011

Supports, straps, rubbers, air breather & mounting kits

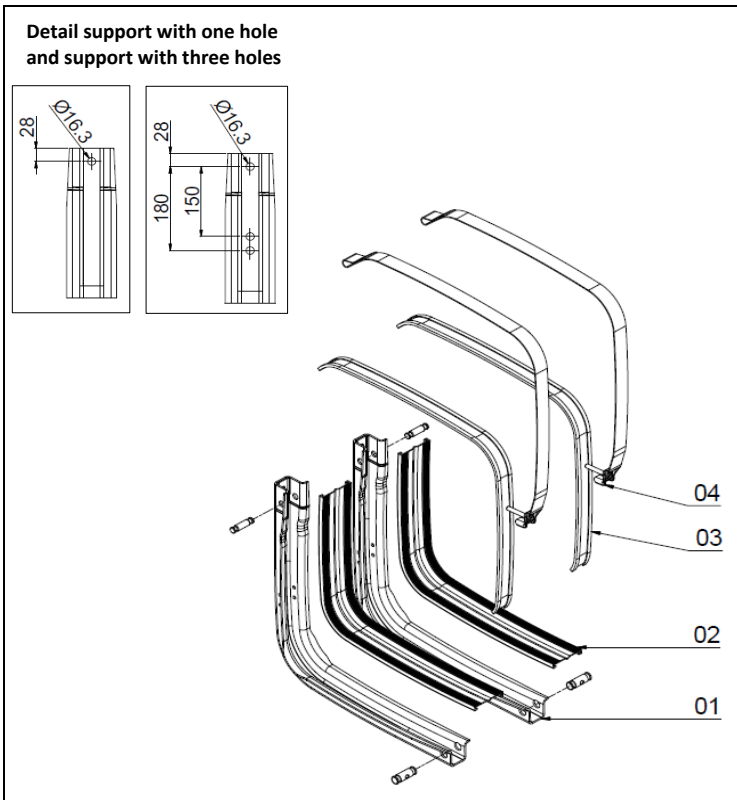


Single support

Separate parts

No.	Part no.	Description	Weight [kg]
1&2	14020326	Support with one hole incl. rubber	11,7
2	14020339	Rubber for support	0,4
3&4	14020301	Strap with rubber	1,2
3	14020426	Rubber for strap	0,2
5	08102116	Air breather	0,4
n/a	14020377	Mounting kit single support tank: - pin bottom (1x) - pin top (1x) - circlip for pin top (4x) - nut M12 for strap bolt (2x) - rectangular washer (2x)*	

* The washers are for mounting support to chassis with M14 bolts.
If M16 bolts are used, see Accessoires for washer kit for M16 bolts.



Double support

Full Kits

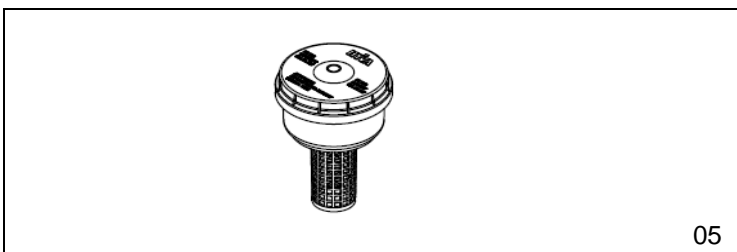
Part no.	Description
14020160	Full kit for support with one hole**
14020161	Full kit for support with three holes**

** Full kit = 2 x support with rubber, 2 x strap with rubber, mounting kit & air breather included

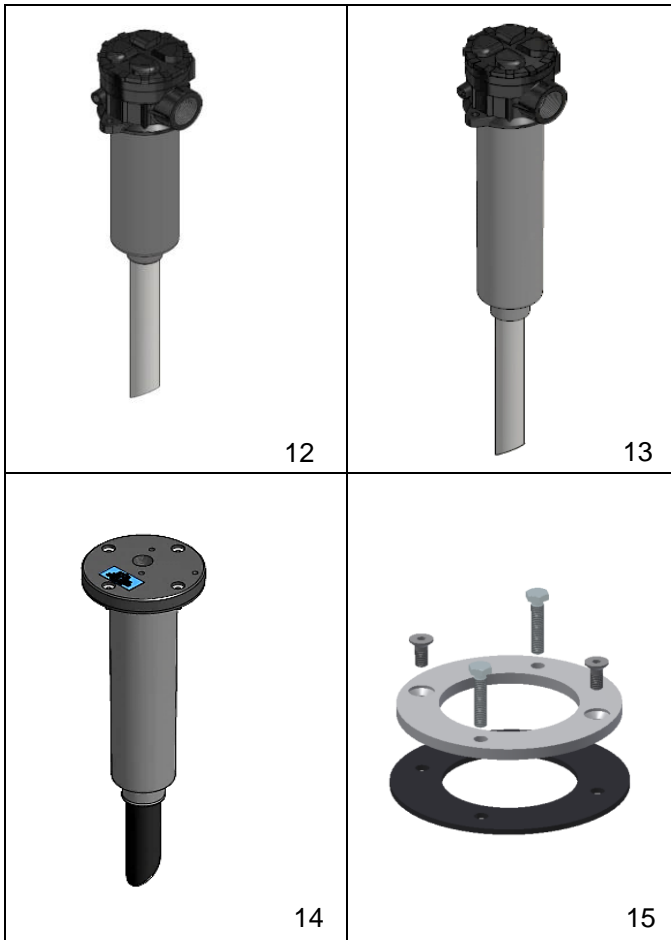
Separate parts

No.	Part no.	Description	Weight [kg]
1&2	14020320	Support with one hole incl. rubber	8,7
1&2	14020321	Support with three holes incl. rubber	8,7
2	14020435	Rubber for support	0,4
3&4	14020308	Strap with rubber	1,4
3	14020425	Rubber for strap	0,2
5	08102116	Air breather	0,4
n/a	14020327	Mounting kit double support tank: - pin bottom (2x) - pin top (2x) - bolt M12 for strap (2x) - square washer M12 for strap (2x) - rectangular washer (4x)*	

* The washers are for mounting support to chassis with M14 bolts.
If M16 bolts are used, see Accessoires for washer kit for M16 bolts.



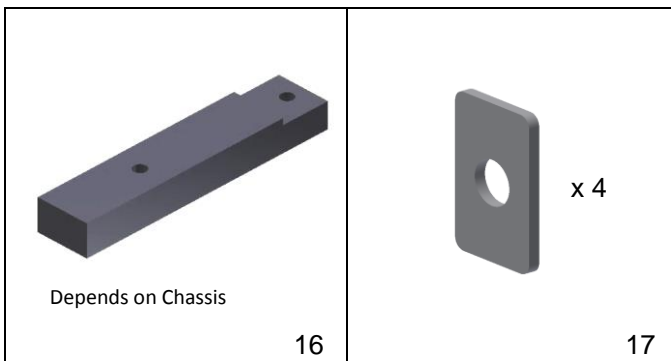
Return filters



No.	Description	Part no.	Weight [kg]
12	Return filter house SC - 150L/m	14780303	1,0
13	Return filter house HC - 250L/m	14780333	1,1
14	Return filter plate 150 L/m	14895920	1,9
15	Strengthening ring SM tank RF kit	14020509	0,2

If hoses larger than 3/4" or multiple hoses are connected to the return filter house version (no's 12, 13), HYVA advises to use the strengthening ring (no. 15).

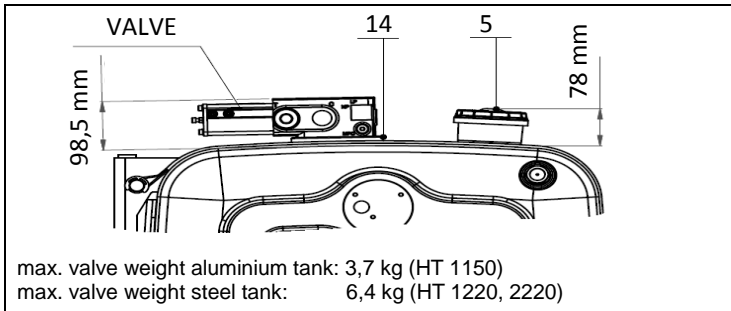
Accessoires



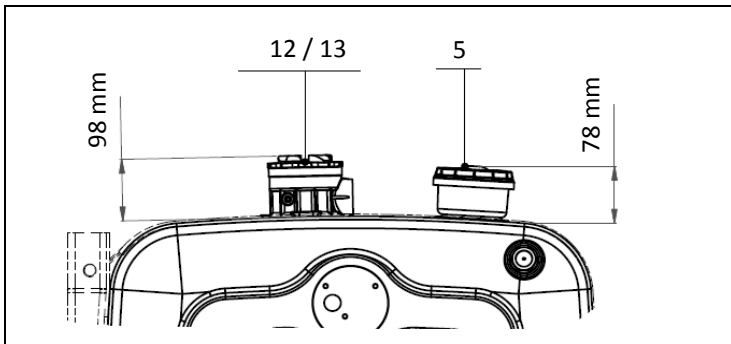
No.	Description	Part no.	Weight [kg]
16	Spacer 295x60x40 for MAN	01040002	0,8
	Spacer 295x60x27 for MAN	01040003	0,5
	Spacer 160x60x8 for Renault	01040004	0,1
	Spacer 230x60x20/16 for Mercedes	01040005	0,3
	Spacer 230x60x6/2 for Mercedes	01040006	0,1
	Spacer Flat 67MM Iveco	01040007	0,7
17	Washer kit for M16 bolt	14020125	0,2

If support is connected to the chassis by M16 bolts instead of M14 bolts, Hyva advises to use the washer kit in the table (no. 17).

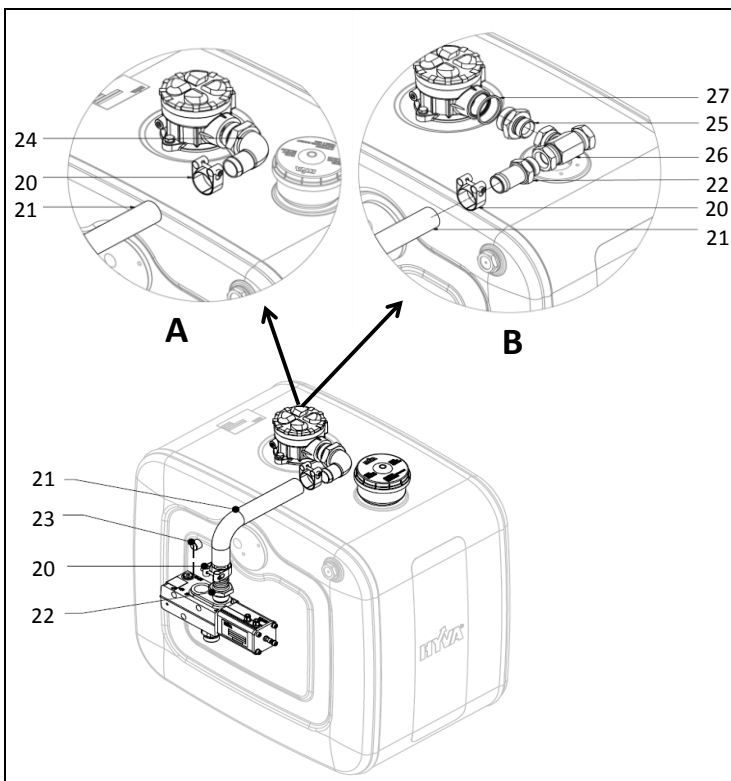
Valve mounting options



Top mounted valve



Chassis or cylinder mounted valve



Side mounted valve

No.	Description	Part No.	Qty. per KIT	
			Option A	Option B
	Full kit option A	14021045	•	
	Full kit option B	14021046		•
20	Worm Clamp	01238120	2	2
21	Return Hose LP20 pre-bend	14797010	1	1
22	Hose Pillar LP20 - 1"	14500589	1	2
23	Allen Plug 1/2"	14799175	1	1
24	Hose Pillar LP20 - 1 1/4"	14799028	1	-
25	Adapter 1 1/4" - 1"	01222107	-	1
26	Adapter T 3x 1"	01318251	-	1
27	Bonded Seal 1 1/4"	01206874	-	1

Option A: one return line

Option B: possibility for second return line