

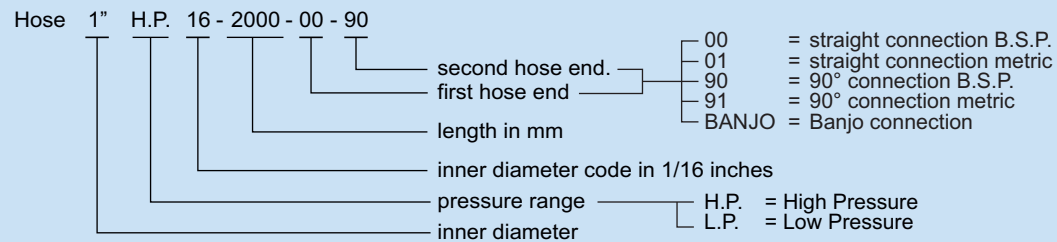
Hyva Hoses & Adapters

Introduction

Hyva Hoses

Hoses offered by HYVA comply with the highest safety standards for truck hydraulics. Working pressures range from 225 to 350 bar.

Code system hydraulic hoses



The best sealing is created if the HP-hose is connected to an adapter with a 60 degree cone. This cone equals the shape of the standard fitted hose adapters and increases the sealing surface.

Low Pressure hoses

Part no.	Description	Inner Ø (")	Weight (kg)	Dynamic working pressure (bar)	Min. bending radius (mm)	Kit no. *)	Hose clip (2x)	Chassis clamp
147 95 085	Hose 1¼" L.P. 20 - 1500 - 00 - 01	1¼	2.0	14	205	J003-01	incl.	-
147 95 034	Hose 1¼" L.P. 20 - 1500 - 00 - 00	1¼	1.5	14	205	GH060	option A	option B
147 95 036	Hose 1¼" L.P. 20 - 2000 - 00 - 00	1¼	2.0	14	205	GH080	option A	option B
147 95 118	Hose 1¼" L.P. 28 - 1500 - 00 - 00	1¼	1.9	7	280	GM060	option A	option B
147 95 120	Hose 1¼" L.P. 28 - 2000 - 00 - 00	1¼	2.8	7	280	GM080	option A	option B
147 95 131	Hose 1¼" L.P. 28 - 2500 - 00 - 00	1¼	3.7	7	280	GM100	option A	option B
147 95 132	Hose 1¼" L.P. 28 - 3000 - 00 - 00	1¼	4.6	7	280	-	option A	option B
147 95 853	Hose 2" L.P. 32 - 2000 - 00 - 00	2	3.6	7	305	-	option A	option B

*) example: if hose Hose 1¼" L.P. 28 - 2000 - 00 - 00 is required with hose clips and chassis clamp order kit GM080AB
Kit J003-01 consists of the L.P. hose with a swivel adapter 1¼" hose end, a bonded seal & 2 hose clips



Suction hose clip

Part no.	Description	Qty.
147 96 594	hose clip for 1¼" L.P.20 hose	2
147 96 600	hose clip for 1¼" L.P.28 hose	2
147 96 612	hose clip for 2" L.P.32 hose	2

Hyva Hoses & Adapters

High Pressure hoses

High Pressure hoses with straight connections

Part no. *)	Description	Inner Ø (")	Weight (kg)	Dynamic working pressure (bar)	Min. bending radius (mm)	Ports	
						(A)	(B)
147 89 483	Hose 1/2" H.P. 08 - 0700 - 00 - 00	1/2	1.0	310	140	1/2"	1/2"
147 89 486	Hose 1/2" H.P. 08 - 1000 - 00 - 00	1/2	1.2	310	140	1/2"	1/2"
147 89 504	Hose 1/2" H.P. 08 - 1500 - 00 - 00	1/2	1.8	310	140	1/2"	1/2"
147 90 026	Hose 3/4" H.P. 12 - 1000 - 00 - 00	3/4	1.3	280	190	3/4"	3/4"
147 90 038	Hose 3/4" H.P. 12 - 1500 - 00 - 00	3/4	1.6	280	190	3/4"	3/4"
147 90 040	Hose 3/4" H.P. 12 - 2000 - 00 - 00	3/4	2.0	280	190	3/4"	3/4"
147 90 051	Hose 3/4" H.P. 12 - 2500 - 00 - 00	3/4	2.5	280	190	3/4"	3/4"
147 90 063	Hose 3/4" H.P. 12 - 3000 - 00 - 00	3/4	2.9	280	190	3/4"	3/4"
147 90 075	Hose 3/4" H.P. 12 - 4000 - 00 - 00	3/4	2.4	280	190	3/4"	3/4"
147 90 324	Hose 1" H.P. 16 - 1000 - 00 - 00	1	1.7	225	240	1"	1"
147 90 336	Hose 1" H.P. 16 - 1500 - 00 - 00	1	2.4	225	240	1"	1"
147 90 348	Hose 1" H.P. 16 - 2000 - 00 - 00	1	3.2	225	240	1"	1"
147 90 350	Hose 1" H.P. 16 - 2500 - 00 - 00	1	3.9	225	240	1"	1"
147 90 361	Hose 1" H.P. 16 - 3000 - 00 - 00	1	4.7	225	240	1"	1"
147 90 368	Hose 1" H.P. 16 - 3500 - 00 - 00	1	5.4	225	240	1"	1"
147 90 373	Hose 1" H.P. 16 - 4000 - 00 - 00	1	6.2	225	240	1"	1"

*) The Delivery program of the Hyva high pressure hoses also contains hoses in several lengths with higher pressures than mentioned in the table above.



High Pressure hoses with 90° connections

Part no. *)	Description	Inner Ø (")	Weight (kg)	Dynamic working pressure (bar)	Min. bending radius (mm)	Ports	
						(A)	(B)
147 88 483	Hose 3/8" H.P. 06 - 0700 - 00 - 90	3/8"	0.5	350	100	3/8"	3/8"
147 88 492	Hose 3/8" H.P. 06 - 1500 - 00 - 90	3/8"	0.7	350	100	3/8"	3/8"
147 89 589	Hose 1/2" H.P. 08 - 0700 - 00 - 90	1/2	1.0	310	140	1/2"	1/2"
147 89 570	Hose 1/2" H.P. 08 - 1000 - 00 - 90	1/2	1.2	310	140	1/2"	1/2"
147 89 582	Hose 1/2" H.P. 08 - 1500 - 00 - 90	1/2	2.0	310	140	1/2"	1/2"
147 90 129	Hose 3/4" H.P. 12 - 1000 - 00 - 90	3/4	1.2	280	190	3/4"	3/4"
147 90 130	Hose 3/4" H.P. 12 - 1500 - 00 - 90	3/4	1.6	280	190	3/4"	3/4"
147 90 142	Hose 3/4" H.P. 12 - 2000 - 00 - 90	3/4	2.0	280	190	3/4"	3/4"
147 90 154	Hose 3/4" H.P. 12 - 2500 - 00 - 90	3/4	2.4	280	190	3/4"	3/4"
147 90 166	Hose 3/4" H.P. 12 - 3000 - 00 - 90	3/4	2.9	280	190	3/4"	3/4"
147 90 178	Hose 3/4" H.P. 12 - 4000 - 00 - 90	3/4	3.3	280	190	3/4"	3/4"
147 94 421	Hose 1" H.P. 16 - 1000 - 00 - 90	1	2.2	225	240	1"	1"
147 94 433	Hose 1" H.P. 16 - 1500 - 00 - 90	1	2.8	225	240	1"	1"
147 94 445	Hose 1" H.P. 16 - 2000 - 00 - 90	1	3.0	225	240	1"	1"
147 94 457	Hose 1" H.P. 16 - 2500 - 00 - 90	1	4.0	225	240	1"	1"
147 94 469	Hose 1" H.P. 16 - 3000 - 00 - 90	1	4.6	225	240	1"	1"
147 94 468	Hose 1" H.P. 16 - 3500 - 00 - 90	1	5.3	225	240	1"	1"
147 94 470	Hose 1" H.P. 16 - 4000 - 00 - 90	1	5.9	225	240	1"	1"
147 90 4425	Hose 1" H.P. 16 - 1200 - 00 - BANJO	1	1.3	225	240	1"	1"
147 90 443	Hose 1" H.P. 16 - 2200 - 00 - BANJO	1	2.0	225	240	1"	1"

*) The Delivery program of the Hyva high pressure hoses also contains hoses in several lengths with higher pressures than mentioned in the table above.

Hyva Hoses & Adapters

Low Pressure hoses

Extra High Pressure hoses with straight connections

Part no. *)	Description	Inner Ø (")	Weight (kg)	Dynamic working pressure (bar)	Min. bending radius (mm)	Ports	
						(A)	(B)
147 90 206	Hose 3/4" H.P. 12 - 2000 - 00 - 00	3/4	2.6	350	195	3/4"	3/4"
147 94 820	Hose 1" H.P. 16 - 2000 - 00 - 00	1	3.9	380	240	1"	1"
147 94 841	Hose 1" H.P. 16 - 4000 - 00 - 00	1	7.6	380	240	1"	1"

*) The Delivery program of the Hyva high pressure hoses also contains hoses in several lengths other than mentioned in the table above.

High pressure hose chassis clamp

Part no.	Description	Qty.
092 23 004	hose chassis clamp for 3/4" H.P. hose	1
092 23 005	hose chassis clamp for 1" H.P. hose	1
149 59 026	hose/pipe chassis clamp for 3/4" H.P. hose	1
149 59 040	hose/pipe chassis clamp for 1" H.P. hose	1

Suction hose chassis clamp

Part no.	Description	Qty.
092 23 006	hose chassis clamp for 1 1/4" L.P. hose	1
092 23 001	hose chassis clamp for 1 1/4" & 2" L.P. hose	1



Hoses per meter

Part no.	Description
147 89 000	Hose 1/2" H.P. L=50m - 310 bar
147 90 001	Hose 3/4" H.P. L=50m - 280 bar
147 90 300	Hose 1" H.P. L=50m - 225 bar
147 95 103	Hose 1 1/4" L.P. L=30m - 7 bar

Part no.	Description
09223011	Clamp 44-49 MM rubber inlay (LP 1 1/4")
09223012	Clamp 59-64 mm rubber inlay (FOR 2" LP)
09223013	Clamp 32-35 mm rubber inlay (FOR 1" HP)
09223015	Clamp 26-30 mm rubber inlay (FOR 3/4" HP)



Hyva Hoses & Adapters

Quick Release couplings

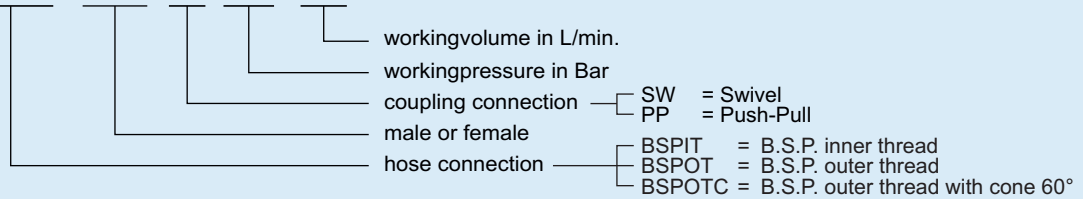
Hyva Q.R. couplings

Quick release couplings are available with a swivel connection, with a flow of 160 litres up to 190 litres. The available kits enclose the adapters, couplings and dust caps for the female or male side. Optional we offer bolt-on and welding sockets and mounting plates.

The second range we offer is of the push-pull type. As these are less common for truck application we do not offer these as a kit. Ask for a specification sheet for details on standard.

Code system Quick Release couplings

QR coupling 3/4" BSPIT - female - SW - 280B - 160L

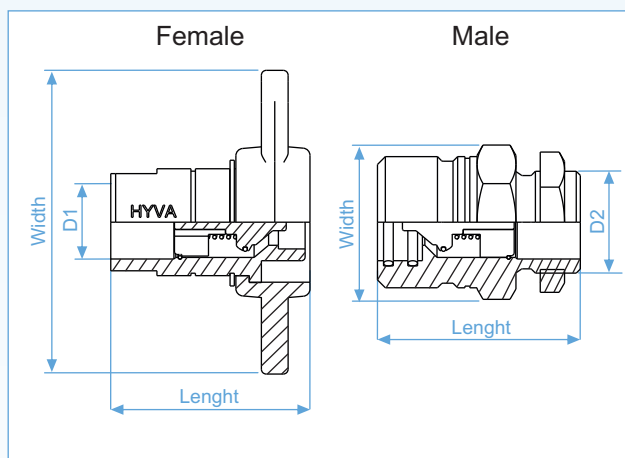


Quick Release couplings with swivel connection

Part no.	Description	D1 BSPIT	D2 BSPOT	Pressure (bar)	Flow (L/min.)	Weight (kg)	Length (mm)	Width (mm)	Lock nut included
013 32 600	QR Coupling 3/4" BSPIT -female-SW-280B-160L	3/4"	-	280	160	0.8	76.5	125	-
013 32 605	QR Coupling 3/4" BSPIT -male -SW-280B-160L	3/4"	1 1/4"	280	160	0.7	78.5	51	1 1/4" BSPIT
013 32 650	QR Coupling 1" BSPOT -female-SW-280B-160L	-	1"	280	160	0.7	76.5	125	-
013 32 655	QR Coupling 1" BSPOT -male -SW-280B-160L	-	1"	280	160	0.5	79.0	51	-
013 32 625	QR Coupling 1" BSPIT -female-SW-250B-190L	1"	-	250	190	0.8	82.0	125	-
013 32 630	QR Coupling 1" BSPIT -male -SW-250B-190L	1"	1 1/4"	250	190	0.9	83.5	60	1 1/4" BSPIT

Order possibilities

Kit no.	Description	Including		Option A	Option B	Option C	Option D
		coupling	dust cover	3/4"	3/4"-90°	1"	1"-90°
HB 120	QR Coupling 3/4" BSPIT -female-SW-280B-160L	013 32 600	013 32 615	NK1212R	NK1212H	NK1216R	NK1216H
HB 100	QR Coupling 3/4" BSPIT -male -SW-280B-160L	013 32 605	013 32 610	NK1212R	NK1212H	NK1216R	NK1216H
HB 220	QR Coupling 1" BSPIT -female-SW-250B-190L	013 32 625	013 32 640	NK1612R	NK1612H	NK1616R	NK1616H
HB 200	QR Coupling 1" BSPIT -male -SW-250B-190L	013 32 630	013 32 635	NK1612R	NK1612H	NK1616R	NK1616H



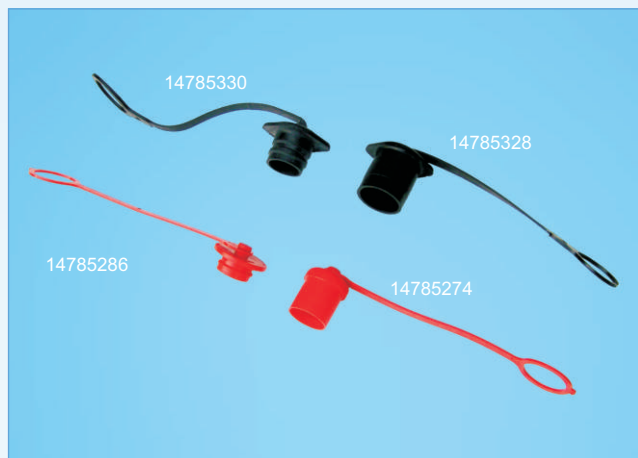
Hyva Hoses & Adapters

Q.R. coupling accessories

Quick Release couplings with Push-Pull connection

Part no.	Description	BSPIT	Pressure (bar)	Flow (L/min.)	Length (mm)	Width (mm)	SW (mm)	dust cover not included
147 85 110*	QR Coupling ½" BSPIT - female - PP-300B-045L	½"	300	45	66	38	27	147 85 334
147 85 115*	QR Coupling ½" BSPIT - male - PP-300B-045L	½"	300	45	44	27	27	147 85 336
147 85 262*	QR Coupling ¾" BSPIT - female - PP-250B-175L	¾"	250	175	82	48	38	147 85 286
147 85 250*	QR Coupling ¾" BSPIT - male - PP-250B-175L	¾"	250	175	56	36	36	147 85 274
147 85 316	QR Coupling 1" BSPIT - female - PP-230B-300L	1"	230	300	98	52	41	147 85 330
147 85 304	QR Coupling 1" BSPIT - male - PP-230B-300L	1"	230	300	66	41	41	147 85 328

* Produced according to ISO 7241-A



Swivel Q.R. coupling mounting parts

Part no.	Description
013 32 610	QR Coupling dust cover ¾" for 013 32 605
013 32 615	QR Coupling dust cover ¾" for 013 32 600
013 32 500	QR Coupling mounting plate ¾"
013 32 620	QR Coupling welding socket ¾"
147 85 406	Retainer 1 3/8" BSP
013 32 640	QR Coupling dust cover 1" for 013 32 625 / 650
013 32 635	QR Coupling dust cover 1" for 013 32 630 / 655
013 32 569	QR Coupling mounting plate 1"
013 32 645	QR Coupling welding socket 1"
147 85 405	Retainer 1¼" BSP

Push-pull Q.R. coupling mounting parts

Part no.	Description
147 85 334	dust cover for female QR Coupling PP for 147 85 110
147 85 336	dust cover for male QR Coupling PP for 147 85 115
147 85 286	dust cover for female QR Coupling PP for 147 85 262
147 85 274	dust cover for male QR Coupling PP for 147 85 250
147 85 330	dust cover for female QR Coupling PP for 147 85 316
147 85 328	dust cover for male QR Coupling PP for 147 85 304



Hyva Hoses & Adapters

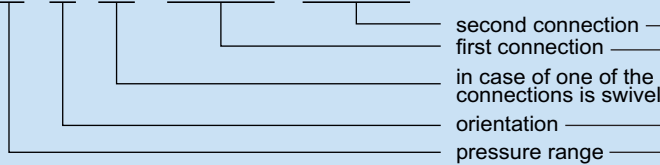
Straight adapters

Hyva Adapters

No hydraulic kit can be installed without the use of adapters to match hydraulic components to each other. Listed is the main stream of adapters in our range.

Code system adapters

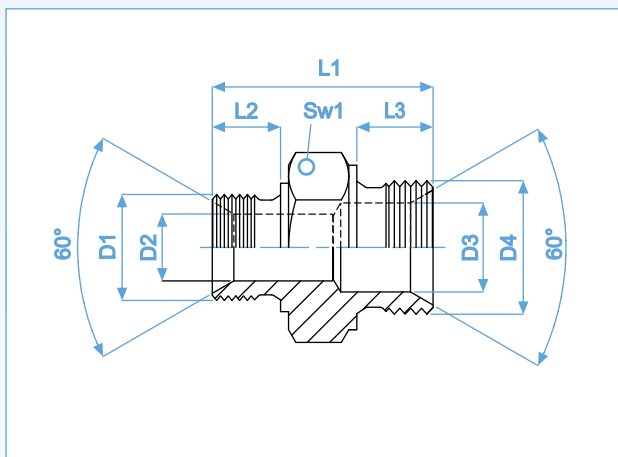
Adapter HP - 00 - SW - 1/4" BSPOT - 1/4" BSPIT



- BSPIT = B.S.P. inner thread
- BSPOT = B.S.P. outer thread
- BSPOTC = B.S.P. outer thread with cone 60°
- BSPOTF = B.S.P. outer thread flat faced
- BSPPT = B.S.P. parallel thread
- BSPT = B.S.P. tapered thread
- PIPE = connection for pipe
- 00 = straight 45 = 45°
- 90 = 90° T = T-piece
- HP = High Pressure
- LP = Low Pressure
- PN = Pneumatic

Straight adapters BSPOT - BSPOT

part no.	description	L1 (mm)	L2 (mm)	L3 (mm)	D1 (")	D2 (mm)	D3 (mm)	D4 (")	Sw1 (mm)
013 17 690	Adapter HP - 00 - 3/8" BSPOTC - 3/8" BSPOTC	34	11	11	3/8"	9,5	9,5	3/8"	22
013 17 805	Adapter HP - 00 - 3/8" BSPOTC - 1/2" BSPOTC	39	13	16	3/8"	8,5	11,0	1/2"	27
013 17 700	Adapter HP - 00 - 3/8" BSPOTC - 3/4" BSPOTC	42	13	16	3/8"	8,0	16,5	3/4"	32
012 21 838	Adapter HP - 00 - 1/2" BSPOTC - 1/2" BSPOTC	42	16	16	1/2"	11,0	11,0	1/2"	27
013 17 714	Adapter HP - 00 - 1/2" BSPOTC - 3/4" BSPOTC	45	16	18	1/2"	11,0	16,5	3/4"	32
012 22 661	Adapter HP - 00 - 3/4" BSPOTC - 3/4" BSPOTC	47	18	18	3/4"	16,0	16,0	3/4"	32
147 99 080	Adapter HP - 00 - 3/4" BSPOTC - 1" BSPOTC	49	18	18	3/4"	17,0	22,0	1"	41
013 17 933	Adapter HP - 00 - 1" BSPOTC - 1" BSPOTC	49	19	19	1"	22,0	22,0	1"	41
012 22 107	Adapter HP - 00 - 1" BSPOTC - 1 1/4" BSPOTC	51	19	20	1"	22,0	29,5	1 1/4"	50
147 99 093	Adapter HP - 00 - 1 1/4" BSPOTC - 1 1/4" BSPOTC	53	20	20	1"	30,0	30,0	1 1/4"	50

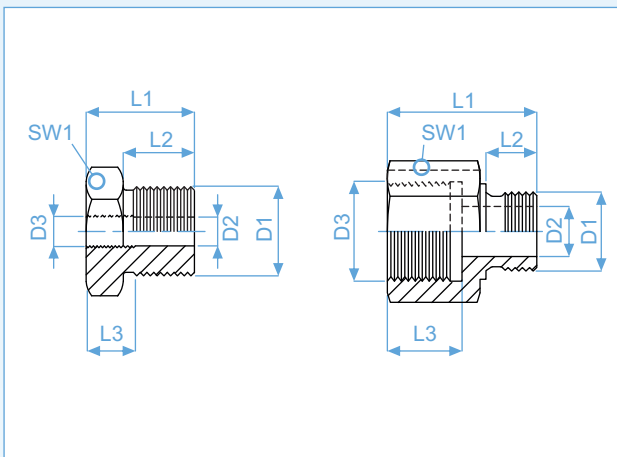


Hyva Hoses & Adapters

Straight adapters

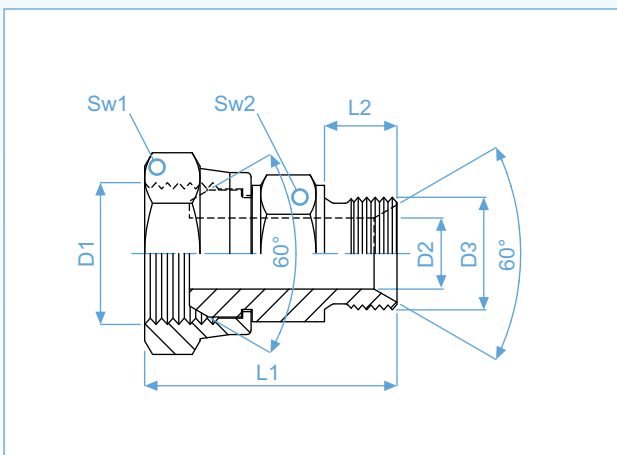
Straight adapters BSPOT - BSPIT

part no.	description	L1 (mm)	L2 (mm)	L3 (mm)	D1 (")	D2 (mm)	D3 (")	Sw1 (mm)
149 58 010	Adapter HP - 00 - 1/2" BSPOT - 1/4" BSPIT	24	14	10	1/2"	12	1/4"	27
149 58 000	Adapter HP - 00 - 3/4" BSPOT - 3/8" BSPIT	26	15	13	3/4"	15	3/8"	32
149 58 112	Adapter HP - 00 - 3/4" BSPOT - 1/2" BSPIT	26	15	13	3/4"	16	1/2"	32
149 58 095	Adapter HP - 00 - 1" BSPOT - 1/4" BSPIT	29	18	13	1"	11,5	1/4"	41
149 58 100	Adapter HP - 00 - 1" BSPOT - 1/2" BSPIT	29	18	17	1"	19	1/2"	41
149 58 102	Adapter HP - 00 - 1" BSPOT - 3/4" BSPIT	49	19	21	1"	30	3/4"	41
149 58 120	Adapter HP - 00 - 1 1/4" BSPOT - 1" BSPIT	52	20	24	1 1/4"	25	1"	50



Straight Swivel adapter BSPIT - BSPOT

part no.	description	L1 (mm)	L2 (mm)	D1 (")	D2 (mm)	D3 (")	Sw1 (mm)	Sw2 (mm)
012 23 650	Adapter HP - 00 - SW - 3/4" BSPIT - 1/2" BSPOTC	49	15	3/4"	11	1/2"	27	32
012 22 909	Adapter HP - 00 - SW - 3/4" BSPIT - 3/4" BSPOTC	51	17	3/4"	17	3/4"	32	32
012 23 677	Adapter HP - 00 - SW - 1" BSPIT - 3/4" BSPOTC	53	18	1"	17	3/4"	41	32
147 99 108	Adapter HP - 00 - SW - 1" BSPIT - 1" BSPOTC	56	19	1"	22	1"	41	41

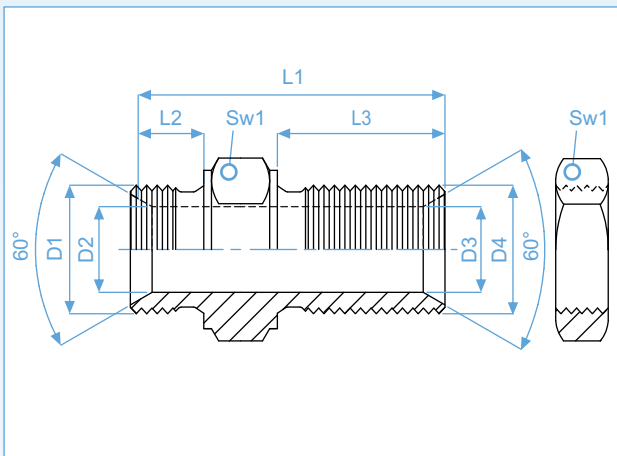


Hyva Hoses & Adapters

Straight adapters

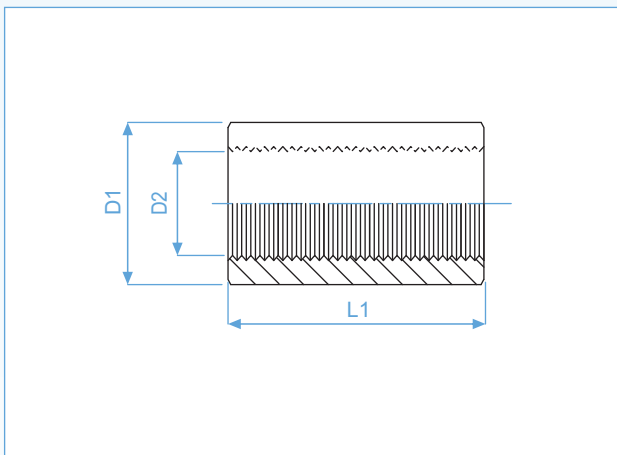
Straight Bulkhead adapter BSPOT - BSPOT

part no.	description	L1 (mm)	L2 (mm)	L3 (mm)	D1 (")	D2 (mm)	D3 (mm)	D4 (")	Sw1 (mm)
149 50 180	Adapter HP - 00 - 3/4" BSPOTC - 3/4" BSPOTC - BH	65	16	38	3/4"	16	16	3/4"	32
149 50 181	Adapter HP - 00 - 1" BSPOTC - 1" BSPOTC - BH	73	18	43	1"	22	22	1"	41
013 17 946	Adapter HP - 00 - 1" BSPOTC - 1" BSPOTC - BH	85	19	50	1"	22	22	1"	41
149 50 182	Adapter HP - 00 - 1 1/4" BSPOTC - 1 1/4" BSPOTC - BH	74	20	40	1 1/4"	29	19	1 1/4"	52



Threaded bush BSPIT

part no.	description	L1 (mm)	D1 (mm)	D2 (")
092 23 002	Adapter HP - 00 - 1" BSPIT - 1" BSPIT - L=70	70	45	1"
092 23 003	Adapter HP - 00 - 1" BSPIT - 1" BSPIT - L=25	25	45	1"
092 23 010	Adapter HP - 00 - 3/4" BSPIT - 3/4" BSPIT - L=37	37	32	3/4"

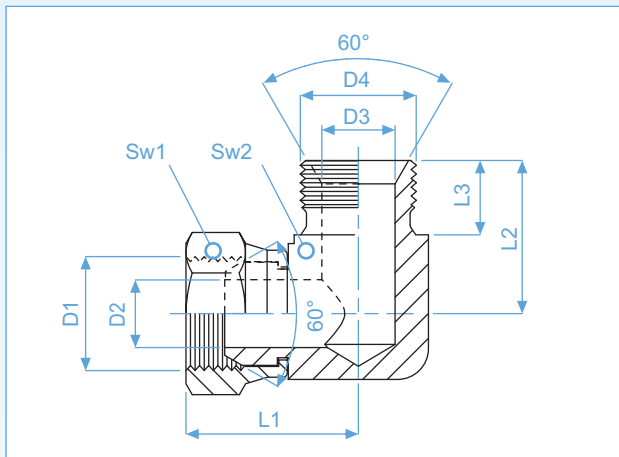


Hyva Hoses & Adapters

90° adapters

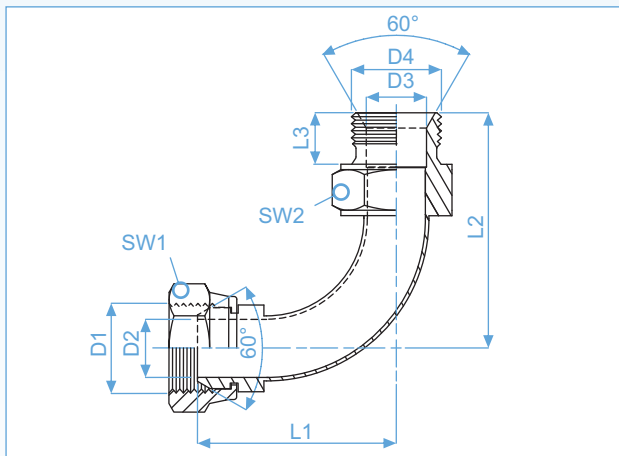
90° Swivel adapter BSPIT - BSPOT

part no.	description	L1 (mm)	L2 (mm)	L3 (mm)	D1 (")	D2 (mm)	D3 (mm)	D4 (")	Sw1 (mm)	Sw2 (mm)
013 17 971	Adapter HP - 90 - SW - 1/2" BSPIT - 1/2" BSPOTC	35	36	16	1/2"	10	11	1/2"	27	24
013 17 969	Adapter HP - 90 - SW - 3/4" BSPIT - 3/4" BSPOTC	40	37	17	3/4"	17	17	3/4"	32	27
147 99 054	Adapter HP - 90 - SW - 1" BSPIT - 3/4" BSPOTC	45	40	17	1"	22	17	3/4"	41	35
013 17 982	Adapter HP - 90 - SW - 1" BSPIT - 1" BSPOTC	45	43	18	1"	22	22	1"	41	35



Elbow Swivel adapter BSPIT - BSPOT

part no.	description	L1 (mm)	L2 (mm)	L3 (mm)	D1 (")	D2 (mm)	D3 (mm)	D4 (")	Sw1 (mm)	Sw2 (mm)
013 17 962	Adapter HP - 90 - SW - 3/8" BSPIT - 3/8" BSPOTC - EL	35	58	13	3/8"	8	9	3/8"	22	22
013 17 970	Adapter HP - 90 - SW - 1/2" BSPIT - 1/2" BSPOTC - EL	52	50	14	1/2"	10	13	1/2"	27	27
013 17 973	Adapter HP - 90 - SW - 3/4" BSPIT - 3/4" BSPOTC - EL	57	65	18	3/4"	16	16	3/4"	32	32
013 17 974	Adapter HP - 90 - SW - 1" BSPIT - 1" BSPOTC - EL	73	73	19	1"	21	21	1"	41	41

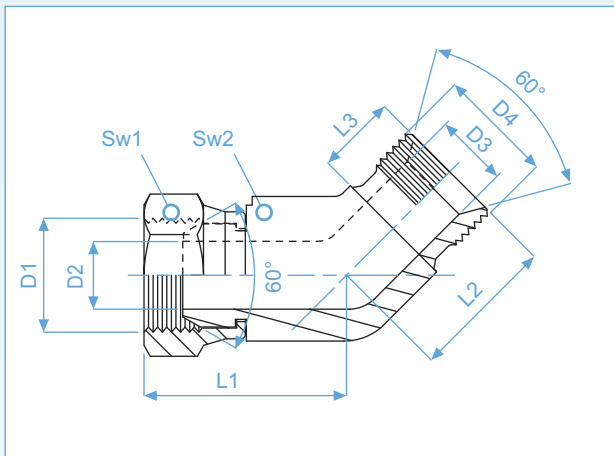


Hyva Hoses & Adapters

45° adapters & bushes

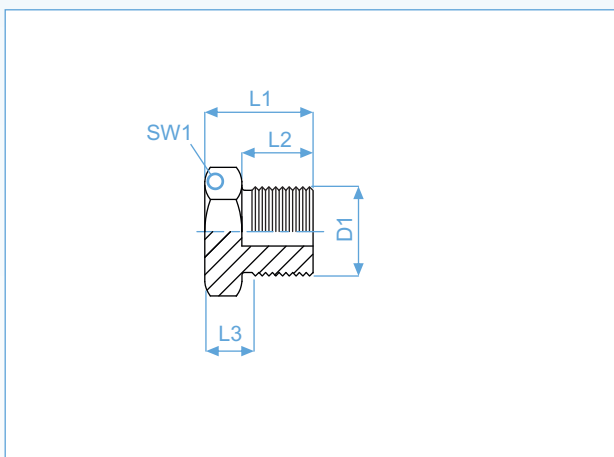
45° Swivel adapter BSPIT - BSPOT

part no.	description	L1 (mm)	L2 (mm)	L3 (mm)	D1 (")	D2 (mm)	D3 (mm)	D4 (")	Sw1 (mm)	Sw2 (mm)
013 18 410	Adapter HP - 45 - SW - 3/4" BSPIT - 3/4" BSPOTC	38	28	15	3/4"	15	15	3/4"	32	27
013 17 815	Adapter HP - 45 - SW - 1" BSPIT - 1" BSPOTC	44	37	24	1"	22	22	1"	41	35



Plug

part no.	description	L1 (mm)	L2 (mm)	L3 (mm)	D1 (")	Sw1 (mm)	Allen (mm)
147 99 175	Adapter HP - 00 - 1/2" BSPOT - plug allen PT-valve	10	10	-	1/2"	-	10
147 99 180	Adapter HP - 00 - 1/2" BSPOT - plug allen	18	13	8	1/2"	-	10
017 02 838	Adapter HP - 00 - 1/2" BSPOT - plug	27	12	17	1/2"	27	-
017 02 841	Adapter HP - 00 - 3/4" BSPOT - plug	28	18	15	3/4"	32	-
017 02 853	Adapter HP - 00 - 1" BSPOT - plug	30	19	16	1"	41	-
147 99 190	Adapter HP - 00 - 1" BSPOT - plug allen	21	16	9	1"	-	17
017 02 856	Adapter HP - 00 - 1 1/4" BSPOT - plug	32	20	17	1 1/4"	20	-

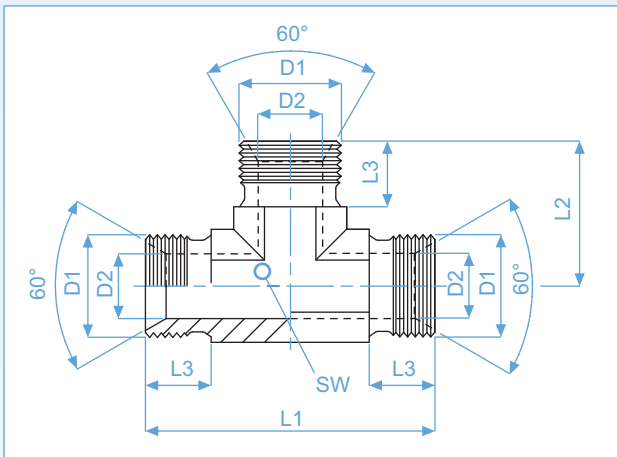


Hyva Hoses & Adapters

T-pieces

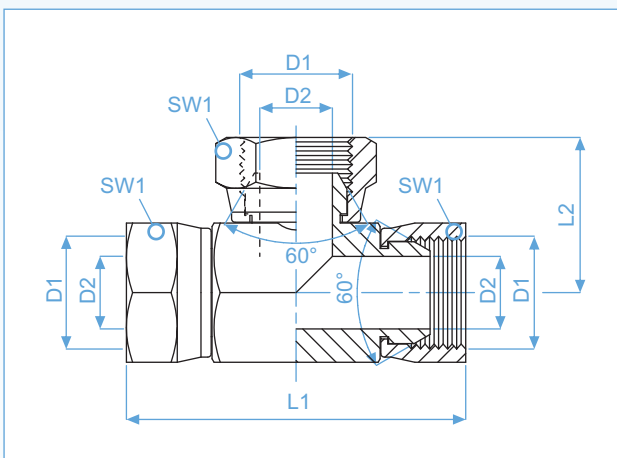
T-piece BSPOT

part no.	description	L1 (mm)	L2 (mm)	L3 (mm)	D1 (")	D2 (mm)	Sw1 (mm)
013 18 292	Adapter HP - T - 3/8" BSPOTC (3x)	52	26	11	3/8	8	17
013 18 295	Adapter HP - T - 1/2" BSPOTC (3x)	60	30	16	1/2	12	22
013 18 300	Adapter HP - T - 3/4" BSPOTC (3x)	80	40	17	3/4	16	27
013 18 310	Adapter HP - T - 1" BSPOTC (3x)	90	44	22	1	22	36



T-piece Swivel BSPIT

part no.	description	L1 (mm)	L2 (mm)	L3 (mm)	D1 (")	D2 (mm)	Sw1 (mm)
013 18 240	Adapter HP - T - SW - 3/4" BSPIT (3x)	80	40	17	3/4"	16	27
013 18 251	Adapter HP - T - SW - 1" BSPIT (3x)	90	44	22	1"	22	36

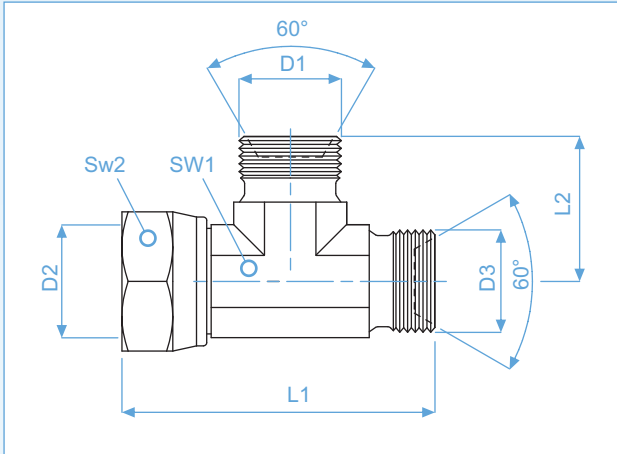


Hyva Hoses & Adapters

T-pieces & hose pillars

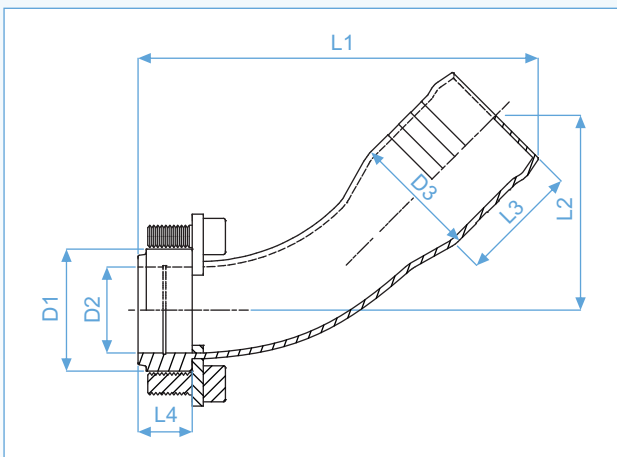
T-piece Swivel BSPIT - BSPOT

part no.	description	L1 (mm)	L2 (mm)	D1 (")	D2 (")	D3 (")	Sw1 (mm)	Sw2 (mm)
013 18 303	Adapter HP - T - SW - 3/4" BSPIT - 3/4" BSPOT (2x)	88	40	3/4" BSPOT	3/4" BSPIT	3/4" BSPOT	27	32
013 18 195	Adapter HP - T - SW - 1" BSPIT - 1" BSPOT (2x)	90	48	1" BSPIT	1" BSPOT	1" BSPOT	36	41
013 18 253	Adapter HP - T - SW - 1" BSPIT - 1" BSPOT (2x)	94	44	1" BSPOT	1" BSPIT	1" BSPOT	36	41



Hose pillar 45° BSPIT - BSPOT (Parker range)

part no.	description	L1 (mm)	L2 (mm)	L3 (mm)	L4 (mm)	D1 (mm)	D2 (mm)	D3 (mm)
145 35 300	hose pillar LP 28 - 45 - clamps	143	70	43	19.5	43.9	31	45
145 35 305	hose pillar LP 32 - 45 - clamps	153	80	37	19.5	43.9	31	51

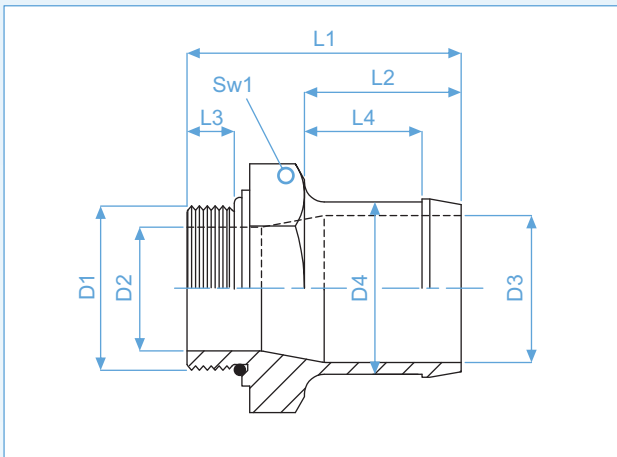


Hyva Hoses & Adapters

Hose pillars

Hose pillar straight

part no.	description	L1 (mm)	L2 (mm)	L3 (mm)	L4 (mm)	D1 (")	D2 (mm)	D3 (mm)	D4 (mm)	Sw1 (mm)
145 00 589	hose pillar LP 20 - 00 - 1" BSPOT	82	48	17	36	1"	23	26	32	41
147 99 000	hose pillar LP 28 - 00 - 1" BSPOT	72	40	11	30	1"	23	38	44	50
147 99 005	hose pillar LP 28 - 00 - 1/4" BSPOT	72	40	11	30	1/4"	32	38	44	55
147 99 015	hose pillar LP 28 - 00 - 1/2" BSPOT	72	40	11	30	1/2"	36	38	44	60
145 35 328	hose pillar LP 32 - 00 - 1/4" BSPOT	79	45	19	27	1/4"	32	44	51	55
145 00 492	hose pillar LP 32 - 00 - 1/2" BSPOT	111	65	21	45	1/2"	36	48	51	60



O-rings for straight hose pillars

part no.	description	part no. hose pillar
012 26 165	O-ring 1" * 3.53 - 50 shore	147 99 000
012 26 185	O-ring 1/4" * 3.53 - 50 shore	147 99 005
012 26 195	O-ring 1/2" * 3.53 - 50 shore	147 99 015
012 25 650	O-ring 1/2" * 3.53 - 70 shore	147 99 038

*) The O-rings are mounted on the hose pillar. References given for spare part delivery

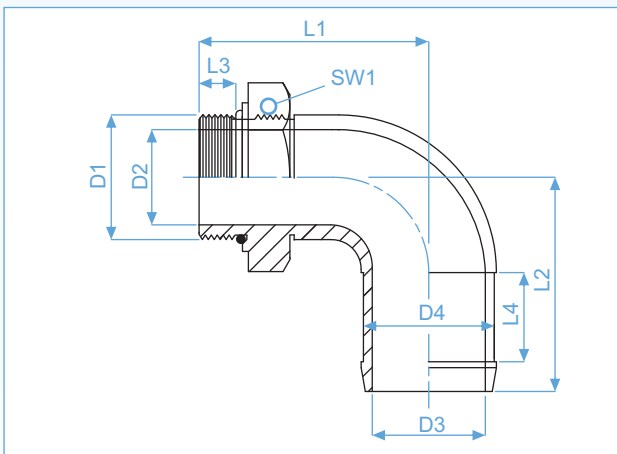
O-rings for hose pillars 90°

part no.	description	part no. hose pillar
017 02 830	O-ring 1" * 3.53 - 70 shore	147 99 020
017 02 870	O-ring 1/4" * 3.53 - 70 shore	147 99 025
012 25 650	O-ring 1/2" * 3.53 - 70 shore	147 99 050 & 147 99 035 & 147 99 036

*) The O-rings are mounted on the hose pillar. References given for spare part delivery

Hose pillar 90°

part no.	description	L1 (mm)	L2 (mm)	L3 (mm)	L4 (mm)	D1 (")	D2 (mm)	D3 (mm)	D4 (mm)	Sw1 (mm)
147 99 020	hose pillar LP 28 - 90 - 1" BSPOT	77	80	11	30	1"	23	38	44	50
147 99 025	hose pillar LP 28 - 90 - 1/4" BSPOT	77	77	11	30	1/4"	32	38	44	55
147 99 050	hose pillar LP 28 - 90 - 1/2" BSPOT	77	75	11	30	1/2"	38	38	44	60

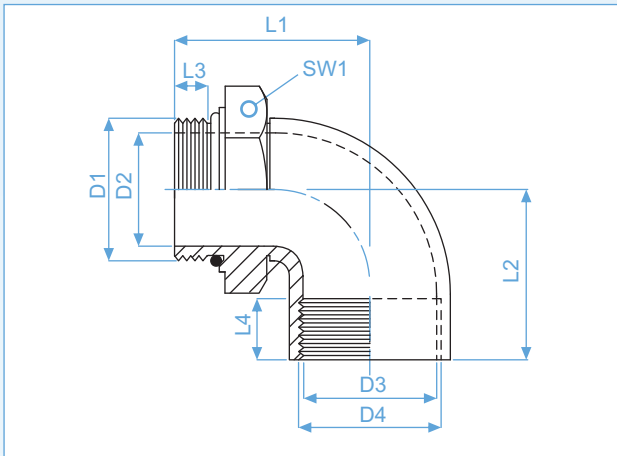


Hyva Hoses & Adapters

Hose pillars

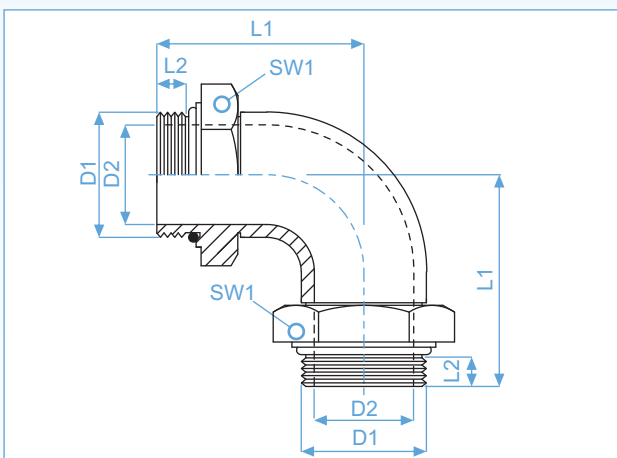
Suction adapter 90° BSPIT - BSPOT

part no.	description	L1 (mm)	L2 (mm)	L3 (mm)	L4 (mm)	D1 (")	D2 (mm)	D3 (mm)	D4 (mm)	Sw1 (mm)
147 99 035	adapter LP - 90 - 1½" BSPIT - 1½" BSPOT	66	62	11	20	1½"	38	45	1½"	60



Suction adapter 90° BSPOT - BSPOT

part no.	description	L1 (mm)	L2 (mm)	D1 (")	D2 (mm)	Sw1 (mm)
147 99 036	adapter LP - 90 - 1½" BSPOT - 1½" BSPOT	70	15	1½"	38	60

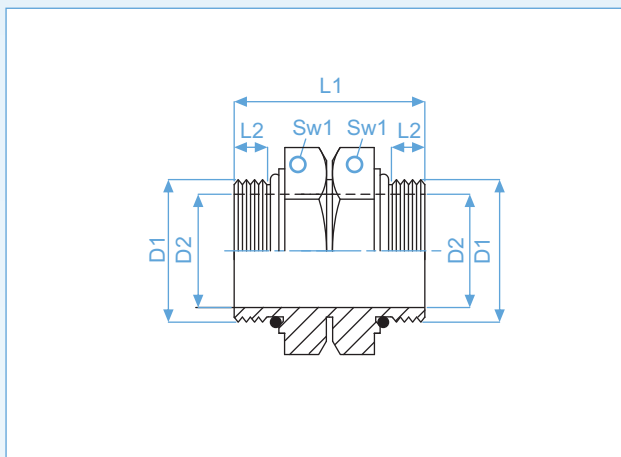


Hyva Hoses & Adapters

Suction adapters

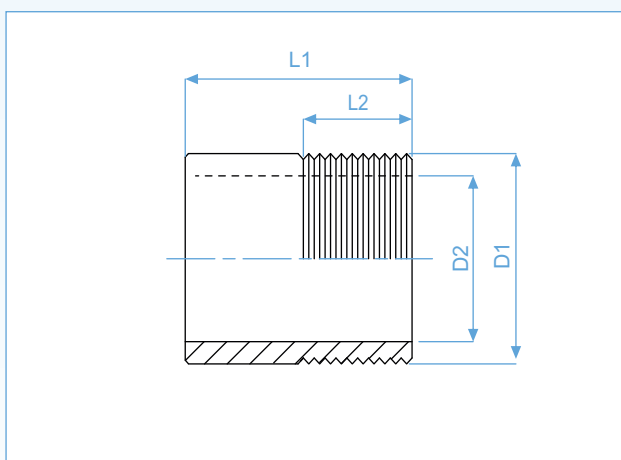
Suction adapter 0° BSPOT - BSPOT

part no.	description	L1 (mm)	L2 (mm)	D1 (")	D2 (mm)	Sw1 (mm)
147 99 038	adapter LP - 00 - 1½" BSPOT - 1½" BSPOT	66	12	1½"	38	60



Welding adapters

part no.	description	L1 (mm)	L2 (mm)	D1 (")	D2 (mm)
012 22 612	adapter LP - 00 - 1¼" BSPOT - WELD - L=50	50	22	1¼"	36
012 22 613	adapter LP - 00 - 1½" BSPOT - WELD - L=73	73	26	1½"	42



Hyva Hoses & Adapters

Pipe & pipe clamps

Pipe

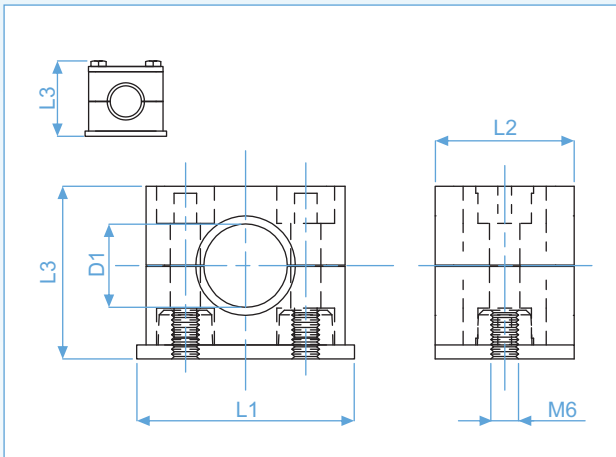
part no.	description	press. (bar)	type
092 29 030	pipe 12x1.5mm - ST37.4 - DIN2445/2 ZP	360	light
092 29 000	pipe 15x1.5mm - ST37.4 - DIN2445/2 ZP	280	light
092 29 018	pipe 20x2.5mm - ST37.4 - DIN2445/2 BL	360	strong
092 29 052	pipe 22x2.0mm - ST37.4 - DIN2445/2 ZP	250	light
092 29 060	pipe 25x2.5mm - ST37.4 - DIN2445/2	280	strong

Pipe only available in a length of 6m.



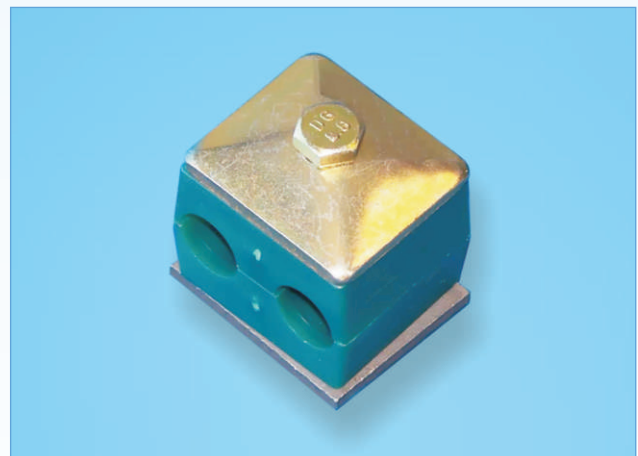
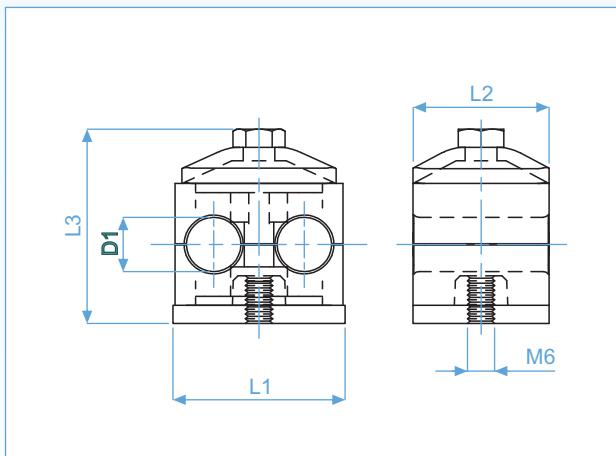
Hose/pipe clamp single

part no.	description	L1 (mm)	L2 (mm)	L3 (mm)	D1 (mm)
149 59 008	Clamp hose/pipe single 12mm	42	30	30	12
149 59 010	Clamp hose/pipe single 15mm	48	30	37	15
149 59 016	Clamp hose/pipe single 18mm	48	30	37	18
149 59 018	Clamp hose/pipe single 20mm	50	30	45	20
149 59 020	Clamp hose/pipe single 22mm	50	30	45	22
149 59 026	Clamp hose/pipe single 25mm	50	30	45	25



Hose/pipe clamp double

part no.	description	L1 (mm)	L2 (mm)	L3 (mm)	D1 (mm)
149 59 110	Clamp hose/pipe double Ø12 mm	37	35	41	12
149 59 120	Clamp hose/pipe double Ø15 mm	56	35	41	15
149 59 150	Clamp hose/pipe double Ø22 mm	70	30	55	22

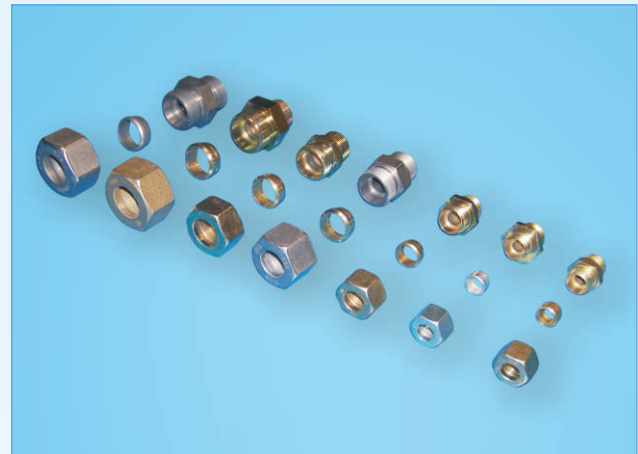
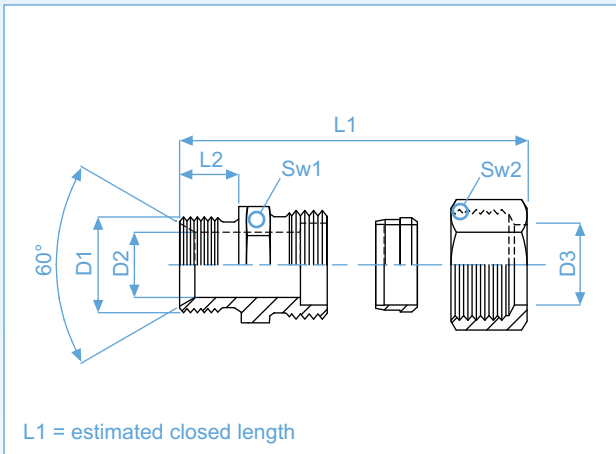


Hyva Hoses & Adapters

Pipe couplings

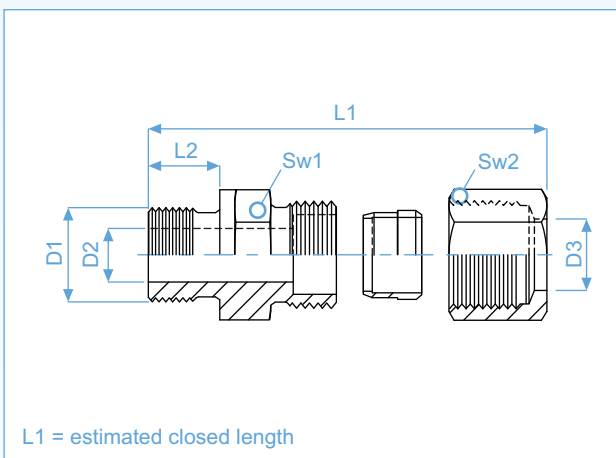
Pipe couplings BSPOTC - conical for hose connection

part no.	description	L1 (mm)	L2 (mm)	D1 (")	D2 (mm)	D3 (mm)	Sw1 (mm)	Sw2 (mm)	type
149 50 505	adapter HP - 00 - 3/8" BSPOTC - pipe 12L	42	12	3/8	9	12.15	22	22	light
149 51 100	adapter HP - 00 - 1/2" BSPOTC - pipe 12L	45	14	1/2	9	12.15	27	22	light
149 51 150	adapter HP - 00 - 1/2" BSPOTC - pipe 15L	48	14	1/2	11	15.15	27	27	light
149 50 742	adapter HP - 00 - 3/4" BSPOTC - pipe 20S	62	16	3/4	16	20.15	32	36	strong
149 50 752	adapter HP - 00 - 3/4" BSPOTC - pipe 22L	54	16	3/4	18	22.15	32	36	light
149 50 761	adapter HP - 00 - 1" BSPOTC - pipe 25S	69	18	1	20	25.15	41	46	strong



Pipe couplings BSPOT

part no.	description	L1 (mm)	L2 (mm)	D1 (")	D2 (mm)	D3 (mm)	Sw1 (mm)	Sw2 (mm)	Type
149 50 530	adapter HP - 00 - 3/8" BSPOT - pipe 12L	42	12	3/8	9	12.15	22	22	light
149 50 540	adapter HP - 00 - 1/2" BSPOT - pipe 12L	45	14	1/2	9	12.15	27	22	light
149 50 610	adapter HP - 00 - 1/2" BSPOT - pipe 15L	48	14	1/2	11	15.15	27	27	light
149 50 740	adapter HP - 00 - 3/4" BSPOT - pipe 20S	62	16	3/4	16	20.15	32	36	strong
149 50 750	adapter HP - 00 - 3/4" BSPOT - pipe 22L	54	16	3/4	18	22.15	32	36	light
149 50 756	adapter HP - 00 - 3/4" BSPOT - pipe 25S	67	16	3/4	16	25.15	41	46	strong
149 50 760	adapter HP - 00 - 1" BSPOT - pipe 25S	69	18	1	20	25.15	41	46	strong

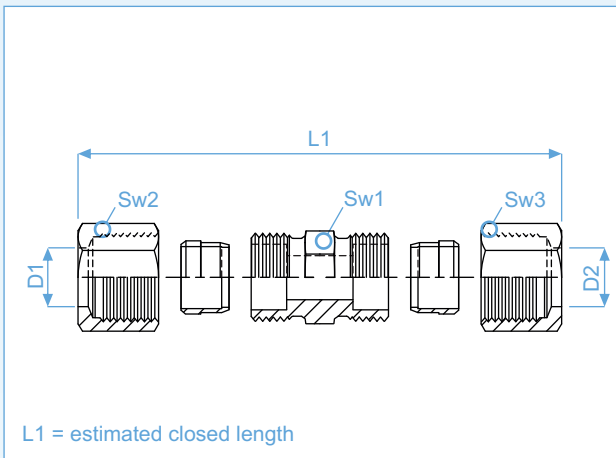


Hyva Hoses & Adapters

Pipe couplings

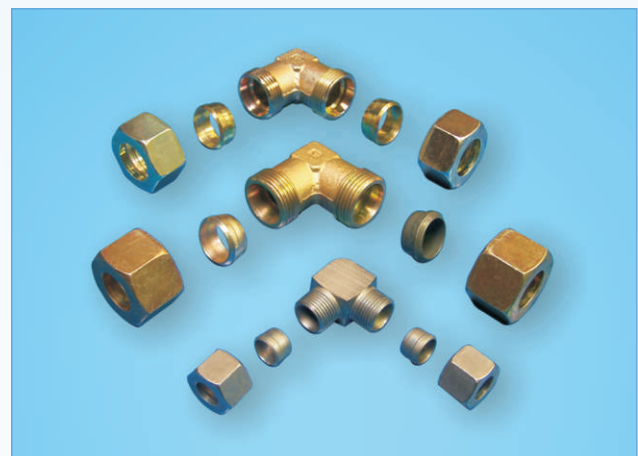
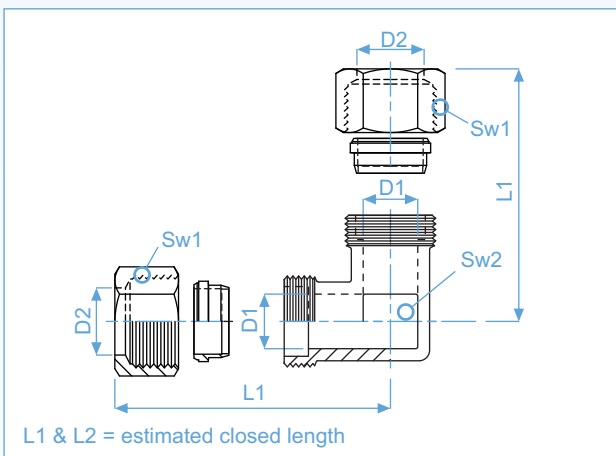
Pipe couplings pipe - pipe

part no.	description	L1 (mm)	D1 (mm)	D2 (mm)	Sw1 (mm)	Sw2 (mm)	Sw3 (mm)	type
149 50 050	adapter HP - 00 - pipe 12L - pipe 12L	48	12.15	12.15	19	22	22	light
149 50 300	adapter HP - 00 - pipe 12L - pipe 15L	48	12.15	15.15	24	22	27	light
149 50 060	adapter HP - 00 - pipe 15L - pipe 15L	48	15.15	15.15	24	27	27	light
149 50 075	adapter HP - 00 - pipe 20S - pipe 20S	66	20.15	20.15	32	36	36	strong
149 50 080	adapter HP - 00 - pipe 22L - pipe 22L	63	22.15	22.15	32	36	36	light
149 50 090	adapter HP - 00 - pipe 25S - pipe 25S	80	25.15	25.15	41	46	46	strong



Elbow for pipe

part no.	description	L1 (mm)	D1 (mm)	D2 (mm)	Sw1 (mm)	Sw2 (mm)	type
149 54 220	adapter HP - 90 - pipe 12L - pipe 12L	35	10	12.15	22	19	light
149 54 240	adapter HP - 90 - pipe 15L - pipe 15L	36	11	15.15	27	19	light
149 54 278	adapter HP - 90 - pipe 20S - pipe 20S	48	19	20.15	36	27	strong
149 54 280	adapter HP - 90 - pipe 22L - pipe 22L	48	19	22.15	36	27	light
149 54 285	adapter HP - 90 - pipe 25S - pipe 25S	54	20	25.15	36	46	strong

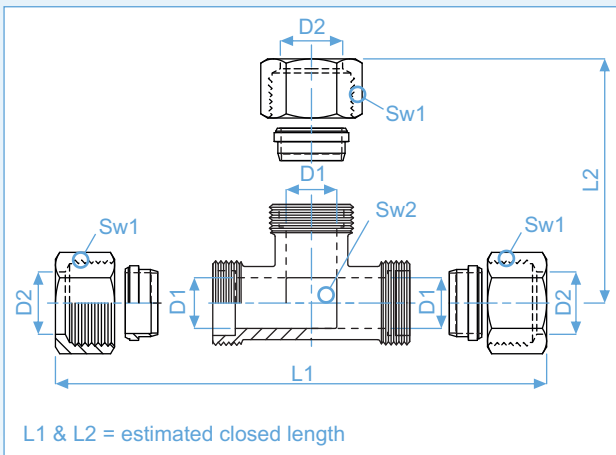


Hyva Hoses & Adapters

Pipe couplings

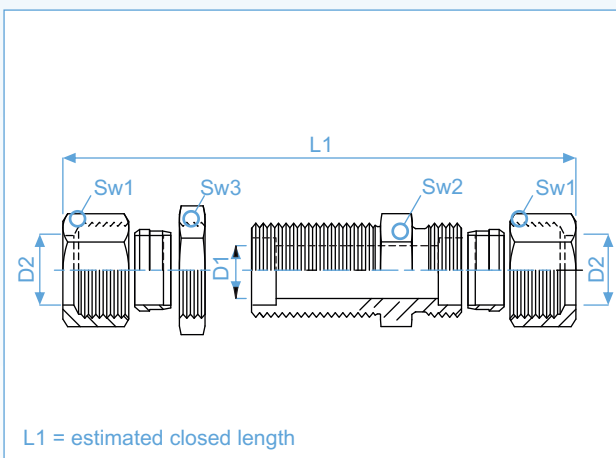
T-piece for pipe

part no.	description	L1 (mm)	L2 (mm)	D1 (mm)	D2 (mm)	Sw1 (mm)	Sw2 (mm)	type
149 57 300	adapter HP - T - pipe 12L (3x)	70	35	10	12.15	22	19	light
149 57 330	adapter HP - T - pipe 15L (3x)	72	36	11	15.15	27	19	light
149 57 335	adapter HP - T - pipe 20S (3x)	104	52	16	20.15	36	27	strong
149 57 340	adapter HP - T - pipe 22L (3x)	96	48	19	22.15	36	27	light
149 57 344	adapter HP - T - pipe 25S (3x)	117	60	20	25.15	46	36	strong



Straight bulkhead adapter for pipe

part no.	description	L1 (mm)	D1 (mm)	D2 (mm)	Sw1 (mm)	Sw2 (mm)	Sw3 (mm)	type
149 50 190	adapter HP - 00 - pipe 20S - pipe 20S - BH	102	16	20.15	36	41	41	strong
149 50 200	adapter HP - 00 - pipe 22L - pipe 22L - BH	94	19	22.15	36	36	41	light

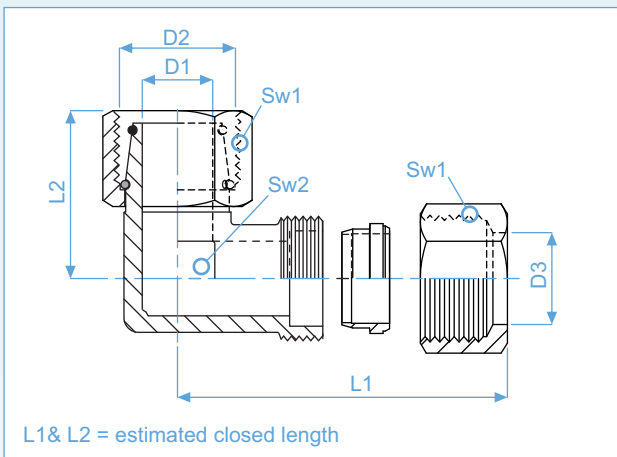


Hyva Hoses & Adapters

Pipe couplings

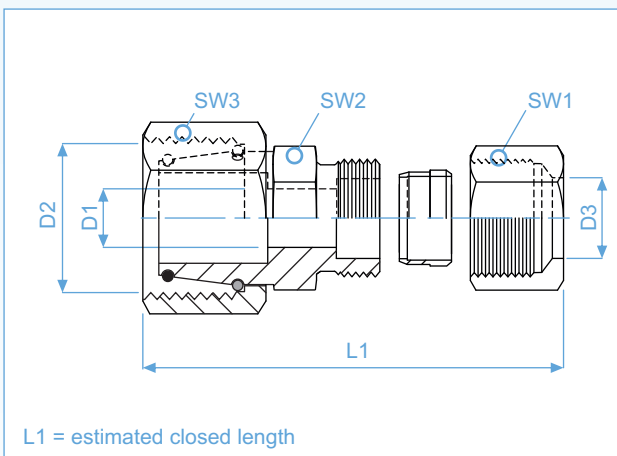
Pipe couplings 90° Swivel pipe - pipe

part no.	description	L1 (mm)	L2 (mm)	D1 (")	D2 (M)	D3 (mm)	Sw1 (mm)	Sw2 (mm)	type
149 56 500	adapter HP - 90 - SW - pipe 12L - pipe 12L	35	30	8	18x1.5	12.15	22	19	light
149 56 503	adapter HP - 90 - SW - pipe 15L - pipe 15L	36	32	10	22x1.5	15.15	27	19	light
149 56 510	adapter HP - 90 - SW - pipe 20S - pipe 20S	48	42	13	30x2	20.15	36	27	strong
149 56 520	adapter HP - 90 - SW - pipe 22L - pipe 22L	48	40	17	30x2	22.15	36	27	light



Pipe couplings straight Swivel MIT - pipe

part no.	description	L1 (mm)	D1 (")	D2 (M)	D3 (mm)	Sw1 (mm)	Sw2 (mm)	Sw3 (mm)	type
149 42 010	adapter HP - 00 - SW - pipe 22L - pipe 15L	52	16	30x2	15.15	27	27	36	light

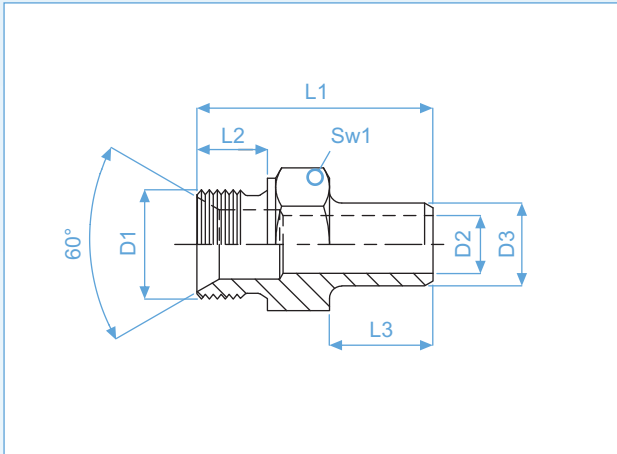


Hyva Hoses & Adapters

Pipe couplings

Pipe couplings BSPOTC - pipe

part no.	description	L1 (mm)	L2 (mm)	L3 (mm)	D1 (")	D2 (mm)	D3 (mm)	Sw1 (mm)	type
149 50 640	adapter HP - 00 - 3/4" BSPOTC - pipe 20S - OP	57	17	25	3/4	14	20	32	strong
149 50 635	adapter HP - 00 - 3/4" BSPOTC - pipe 25S - OP	62	17	30	3/4	16.5	25	32	strong



Bonded seals

part no.	description
012 06 801	bonded seal 1/8"
012 06 813	bonded seal 1/4"
012 06 825	bonded seal 3/8"
012 06 837	bonded seal 1/2"
012 06 849	bonded seal 5/8"
012 06 850	bonded seal 3/4"
013 13 848	bonded seal 1"
012 06 874	bonded seal 1 1/4"
012 06 898	bonded seal 1 1/2"
012 51 685	bonded seal 1 3/4"

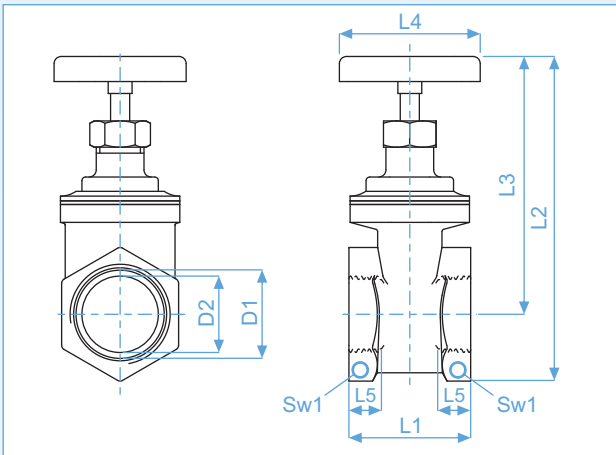


Hyva Hoses & Adapters

Stop cock & Ball valve

Stop cock 1¼" BSPIT

part no.	description	L1 (mm)	L2 (mm)	L3 (mm)	L4 (mm)	L5 (mm)	D1 (")	D2 (mm)	Sw1 (mm)
147 80 914	Stop cock LP - 1¼" BSPIT - 1¼" BSPIT	51	136	108	59	12	1¼	32	49



Ball valve 1½" BSPOT - 1½" BSPIT

part no.	description
147 80 981	Ball valve 1½" BSPOT + nut - 1½" BSPIT

